

Parameters

| Electrical Parameters: | |
|-----------------------------|---------------------|
| Buspro power supply | DC12-30V |
| Buspro power consumption | 25mA/DC24V |
| Range of temperature sensor | -20°C~36°C |
| Range of LUX sensor | 0~5000Lux |
| Range of humidity sensor | 20°C~95°C |
| Environmental Conditions: | |
| Working temperature | -5°C~45°C |
| Working relative humidity | Up to 90% |
| Storage temperature | -20°C~+60°C |
| Storage relative humidity | Up to 93% |
| Approved | |
| CE | |
| RoHS | |
| Product information: | |
| Dimensions | 80(Diameter)×32(mm) |
| Weight | 92.5(g) |
| Housing material | ABS |
| Installation | Ceiling mount |
| IP Protection | IP20 |

Important Notes

- Buspro cable — CAT5E or HDL Buspro/KNX cable.
- Buspro connection — Series connection (hand-in-hand).
- Installation — Indoor and ceiling-mount, keep it away from AC outlet.

HDL Buspro Definition for Cable

| CAT5/CAT5E | HDL Buspro | HDL Buspro/KNX |
|---------------------------|------------|----------------|
| Brown/ Orange | DC24V | Red |
| Brown white/ Orange white | COM | Black |
| Blue white/Green white | DATA- | White |
| Blue/ Green | DATA+ | Yellow |

Overview

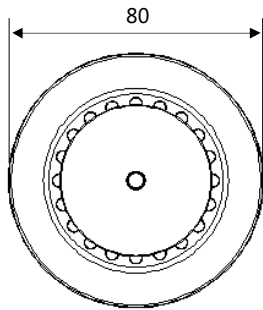


SB-CMS-THL is a sensor with built-in temperature sensor, LUX sensor, humidity sensor and dry contact input. The logic in the sensor can manage all different conditions of sensors, to control different targets and achieve different functions. The sensor supports HDL security function and security command.

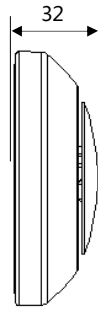
Functions

- Built-in LUX sensor, temperature sensor, humidity sensor, 2 channels dry contact inputs, 2 universal switch, Logic
- 2 logical relations: OR, AND
- It has 24 logic blocks, the output is to control the targets
- The range of universal switch number in logic function is 201-248, each logic has 2 universal switch numbers.
- Multiple control targets: Scene switch, Sequence switch, Universal switch, Single channel lighting control, Broadcast scene or channel, Curtain switch, GPRS, Panel control, Security, Music play, etc.
- Supports upgrade from HDL Buspro.

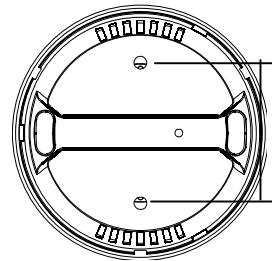
Dimensions and Wiring



Front view



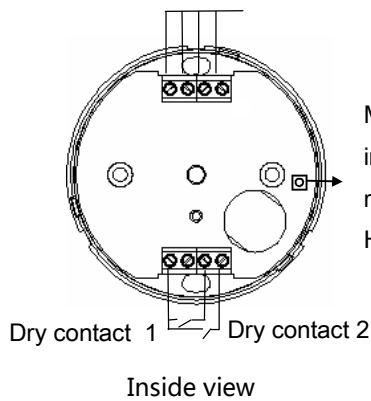
Side view



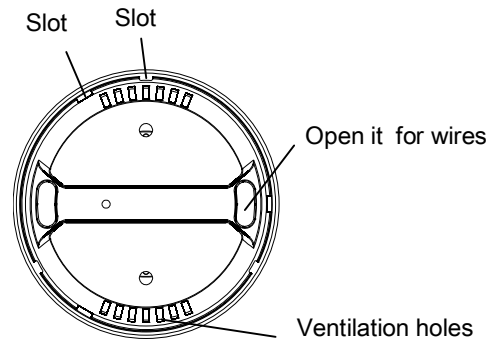
Back view

Screw holes 44.5mm

HDL Buspro, from left to right GND,485-,485+,DC24V



Module indicator, flickers when the module is working properly. Keep pressing for 3 seconds, user can read and modify the address of the module in the HDL Buspro software.



Safety Precautions



- The screw down strength should not 0.1Nm.
- Do not make wrong connection on Buspro interface, it will damage the Buspro interface of this module
- Do not get AC power into Buspro wire , it will damage all devices in the system
- Avoid contact with liquids and corrosive gases.

Packing list

- HDL-MASTH.2C 1pc
- $\Phi 3 \times 14$ self-drilling screw 2 pcs
- Datasheet 1 pc

