

## Parameters

Electric Parameters:	
Input voltage	AC240V±10% 50~60Hz
Output current	750mA
Output voltage	DC24V
Output ripple wave	Less than 150mV
Environmental Conditions:	
Working temperature	-5°C~45°C
Working relative humidity	Up to 90%
Storage temperature	-20°C~+60°C
Storage relative humidity	UP to 93%
Approved:	
CE	
RoHS	
Production Information:	
Dimensions	72×90×66 (mm)
Weight	188g
Housing material	Nylon, PC
Installation	35mm DIN rail installation
Protection degree	IP20

## HDL Buspro Definition for Cable

CAT5/CAT5E	HDL Buspro	HDL Buspro/ KNX
Brown/ Orange	DC24V	Red
Brown white/ Orange white	COM	Black
Blue white/Green white	DATA-	White
Blue/ Green	DATA+	Yellow

## Important Notes

- Bus cable – CAT5E or HDL Buspro/KNX cable
- BUS Connection - Series connection (hand-in-hand)
- When system needs more power supplies, please pay attention to the correct connection, see the connection diagram in right side.
- 110V AC power supply is not supported

## Overview



SB-DN-PS750 is a power supply module. The module can supply DC24V voltage , 750mA current.

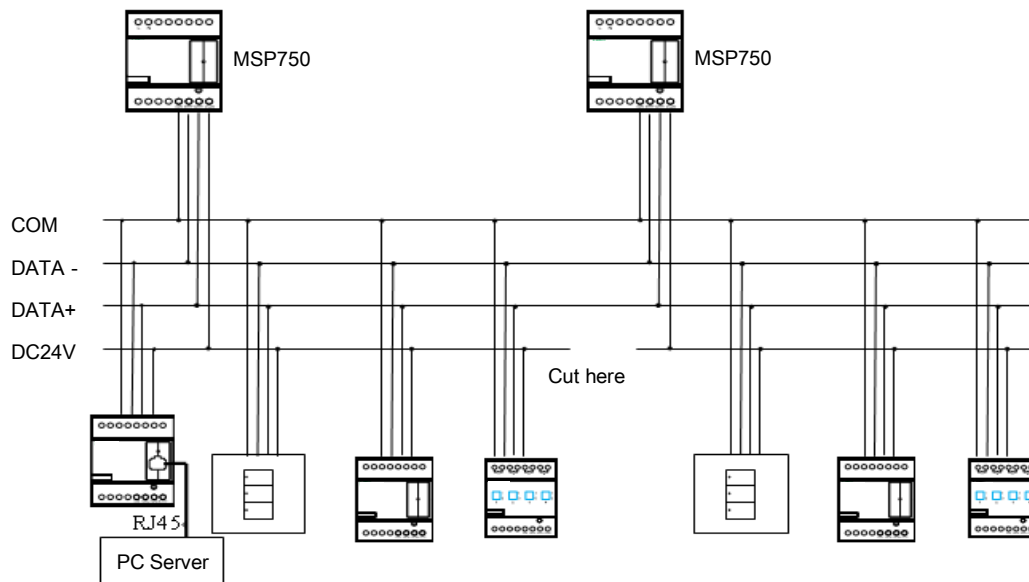
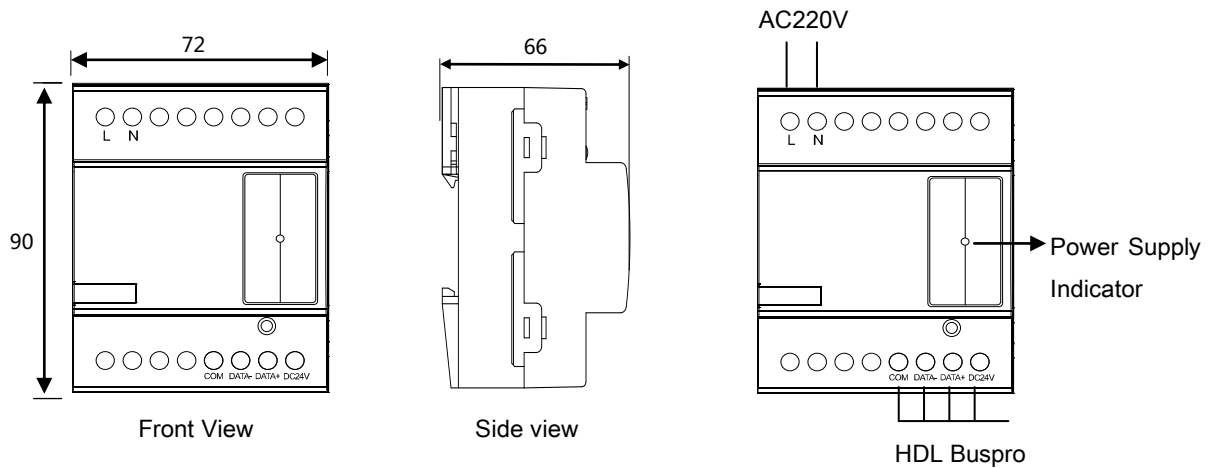
## Functions

- Protection: Short Circuit and Over Current protection
- Voltage Supply: DC24V
- Ripple Wave: Less than 150mV

## Installation Step

- Mount the device on the DIN rail inside the DB Box.
- Connect HDL Buspro cable.
- Check the connection, avoid any mistakes.

## Dimensions and Wiring



### Safety attention



WARNING

- The screw down strength should not exceed 0.4Nm
- Installation Position: Distribution Box (DB)
- Do not make wrong connection on Bus interface, it will damage the Bus interface of this module
- Never let liquids get into module, it will damage this device
- Do not get AC power into Bus wire, it will damage all devices in the system
- Avoid contact with liquids and aggressive gas

