

Parameters

Electrical Parameters:	
Product name	1CH single fire wire dimming 3CH single fire wire dimming
Product number	HDL-MPWPID01L.18(EU) HDL-MPWPID03L.18(EU) HDL-MPWPID01L.16(US) HDL-MPWPID03L.16(US)
Working voltage	AC85-270V 50/60Hz
Output channel	1 channel/3 channels
Output current	01L: 1CH≤1.5A 03L: 1st channel ≤ 1.2A 2nd and 3rd channel total currents≤2A
Fuse	01L:4A, aR type 03L:6A, aR type
Environmental Conditions:	
Working temperature	-5°C~45°C
Working relate humidity	Up to 90%
Storage temperature	-20°C~+60°C
Storage relative humidity	Up to 93%
Approved:	
CE	
RoHS	
Product Information:	
Dimensions	84×84×39(mm)(EU) 84×116×39(mm)(US)
Weight	128g/138g
Housing material	Inflaming retarding nylon
Installation	wall box (the depth of wall box should not less than 45mm)
Protection rating	IP20
Fire wire	2.5mm ² copper cable
Load wire	2.5mm ² copper cable

FAQ

- Dimming flashing:
 - 1.The brightness is set too high. General condition, if the load is lamp, the max. level should not exceed 80%; if the load is LED, the max. level must be turned down, otherwise, the LED will flash or the wireless power interface will restart
 - 2.If the load is LED, and less than 30W, it needs to connect the constant current module in parallel to provide enough working current for panel.
- The wireless power interface cannot supply the power, the panel cannot work properly:
 - 1.Firstly, separate panel and power, and install again, then check
 - 2.If the panel cannot work properly, check the fuse
 - 3.Use the multimeter to measure the voltage of the power interface and panel interface. If the voltage is not DC5V (±1V), the wireless power interface is wrong.

Overview



Wireless power interface, which supplies DC5V power for wireless panel. It has the function of dimming and switch. And has 1CH and 3CH types. There are two sizes, EU and US.

Functions

- Supply DC5V power for wireless panels.
- 3CH: 1st channel is MOSFET dimming
2nd and 3rd are TRIAC dimming/switch
- 1CH: MOSFET dimming/switch
- Short circuit protection
- Over heating protection

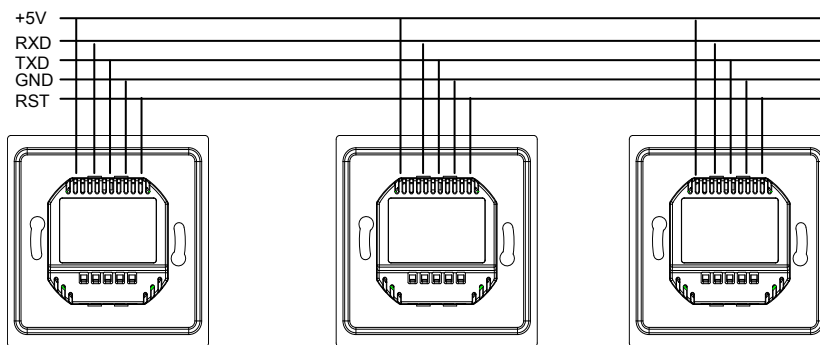
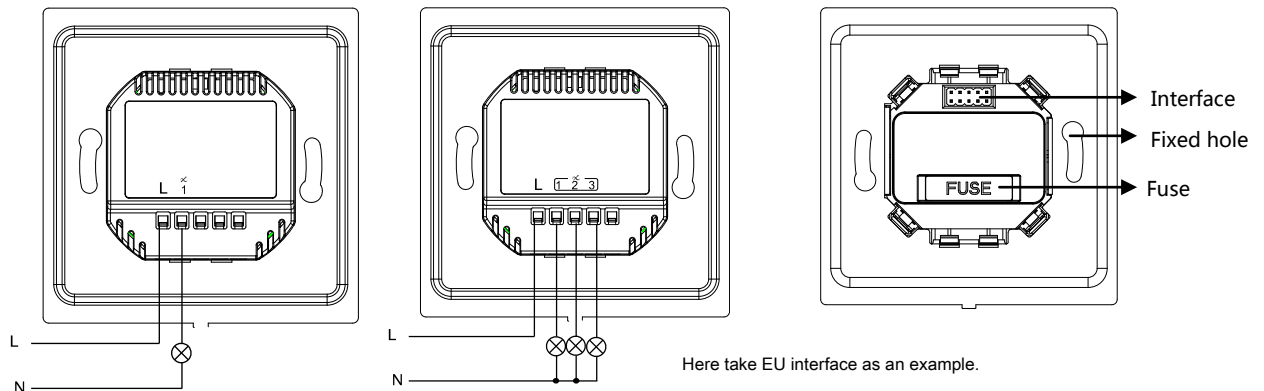
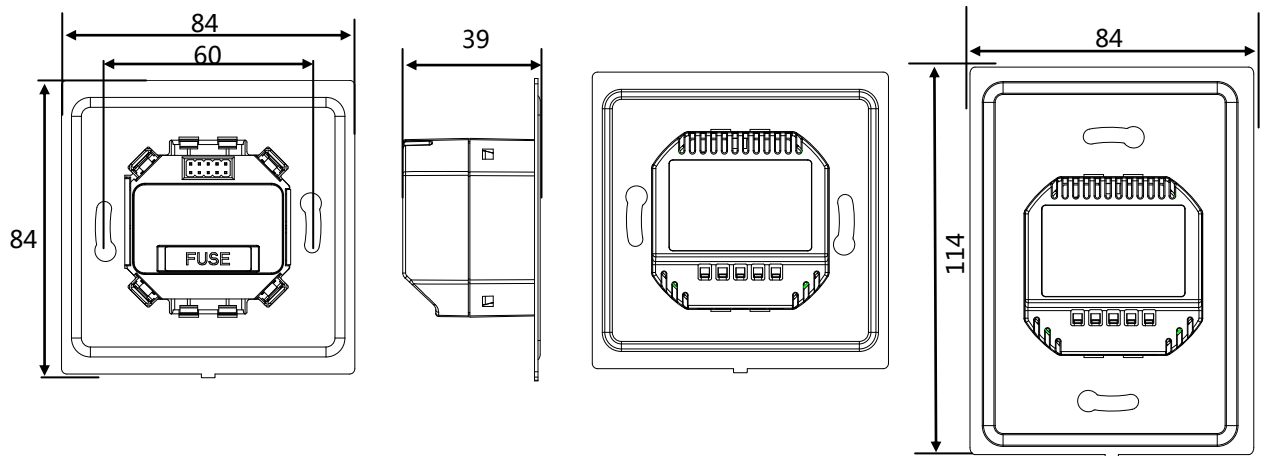
Important Notes

- The power interface can use without null line
- The module must work with wireless panel
- 3CH: 1st channel output current should not exceed 1.2A, 2nd and 3rd channel total current cannot exceed 2A.
- 1CH: output current should not exceed 1.5A
- The channel 1 cannot connect these load types: transformer, fan, inductive ballast lamp, and dimming, etc.
- It cannot make sure that can dim all kinds of lamps, but it can control all switches.
- Recommend channel 1 load types: electronic transformer, LED driver. It can reduce noise in dimming mode
- Fuse must be aR type, 1CH is 4A, 3CH is 6A.
- The power interface adds the tamper-proof coil, when dim or switch, maybe has some sound.
- Temperature in the power interface may affect the accurate of temperature sensor of panel, so please note when using this data.

Installation Steps

- Make sure the load supports dimming.
- Make sure the working current
- Make sure the lamps meet the minimum load power requirement, 30W. If the connected load is less than 30W, should connect the constant current module in parallel to provide enough working current for panel. If the load supports dimming, you can also limit the max. output voltage to provide enough power for panel.
- Connect to the load.
- Make sure there is no short circuit.
- Use the fire wire to connect to the L terminal
- Fix the power interface by screws in wall box.
- Put the wireless panel into wireless power interface.

Layout and Wiring



Load requirements

1. To provide working voltage for the devices, channel 1 must be connected to the load.
 2. Recommended loads for channel 1: Electronic transformer, LED driver etc. It can reduce the noise in dimming mode. Inductive load is not allowed.
 3. Channel 2 and 3 are TRIAC dimming.
- Note: the 1CH single fire wire is only 1 channel output, it must be connected to the load, the requirements are same as 3CH's 1st channel

Multiple wireless power interface can be in parallel, then the panel (such as DLP) can control all channels. Shown as above, the terminal connection should avoid any mistakes.

Safety Precautions

- If need to install or repair this module, must contact with professional electrician.
- The device cannot switch off the load completely. During overhauling or replacing the lamps and fuses, the device must be cut the AC power supply.
- Fuse must be aR type, 1CH is 4A, 3CH is 6A
- The channel 1 is forbidden to connect to inductive load.
- Do not let the module come into contact with liquids.
- Ensure that the module is installed in an area with good ventilation.

Package contents

- Wireless power interface *1 / Datasheet *1