

## Parameters

Electric Parameters:	
Working voltage	DC15-30V
Static power consumption	25mA/DC24V
Dynamic power consumption	250mA/DC24V
Communication	HDL Buspro
Buspro terminal	0.75-0.85mm single-core cable
Environmental Conditions:	
Working temperature	-5°C~+45°C
Working relative humidity	Up to 90%
Storage temperature	-20°C~+60°C
Storage relative humidity	Up to 93%
Approved	
CE	
RoHS	
Production Information :	
Dimensions	144×90×56.3 ( mm )
Net weight	375g
Housing material	Nylon
Installation	35mm Din rail installation
IP Protection	IP20

## HDL Buspro definition for cable

HDL Buspro	HDL Buspro/KNX
DC24V	Brown/Orange
COM	Brown white/Orange white
DATA-	Blue white/Green white
DATA+	Blue/Green

## Installation Steps

- 35mm Din rail installation, inside DB Box.
- Mark up each output connection cable.
- Connect the load and HDL Buspro cable.
- Check the connection, avoid any mistakes.
- Separate the high power cable and Buspro cable.

## Overview



HDL-MHI0U.432 Hotel I/O module is a mix module. It has dimming, relay, curtain control, dry contact and three LED outputs functions.

## Functions

### OUTPUTS

- Channel 1 and 2 are leading edge dimming outputs, total current should not exceed 2A.
- Channel 3 to 10 are switch outputs, each channel is 5A.
- Channel 11 and 12 are curtain control.

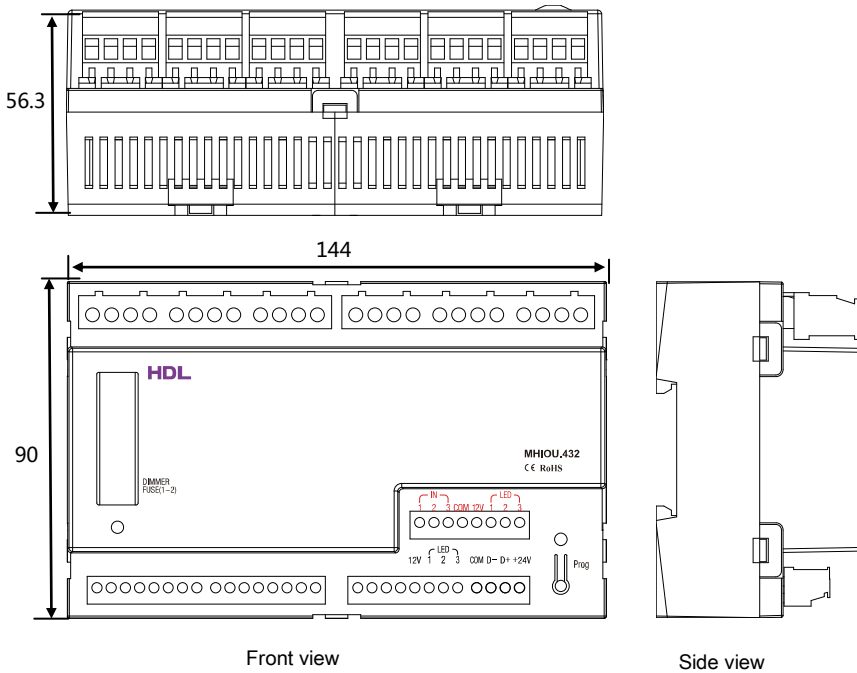
### INPUTS

- 14-channel dry contact input.
- 3-channel indoor doorbell control and 3-channel indicator output.
- 1-channel outdoor door bell control and 3-channel indicator output.
- 1-channel door bell control.

## Important Notes

- 35mm Din rail installation, inside DB Box.
- Buspro cable - Cat5E or HDL Buspro/KNX cable, 0.8mm single-core copper cable.
- Mark up each channel.
- Connect to the load and HDL Buspro, check all output connection.
- Buspro connection - Hand-in-hand.
- Make up each output connection cable, separate high power and Buspro cable.

## Dimensions and Wiring



**Note:**

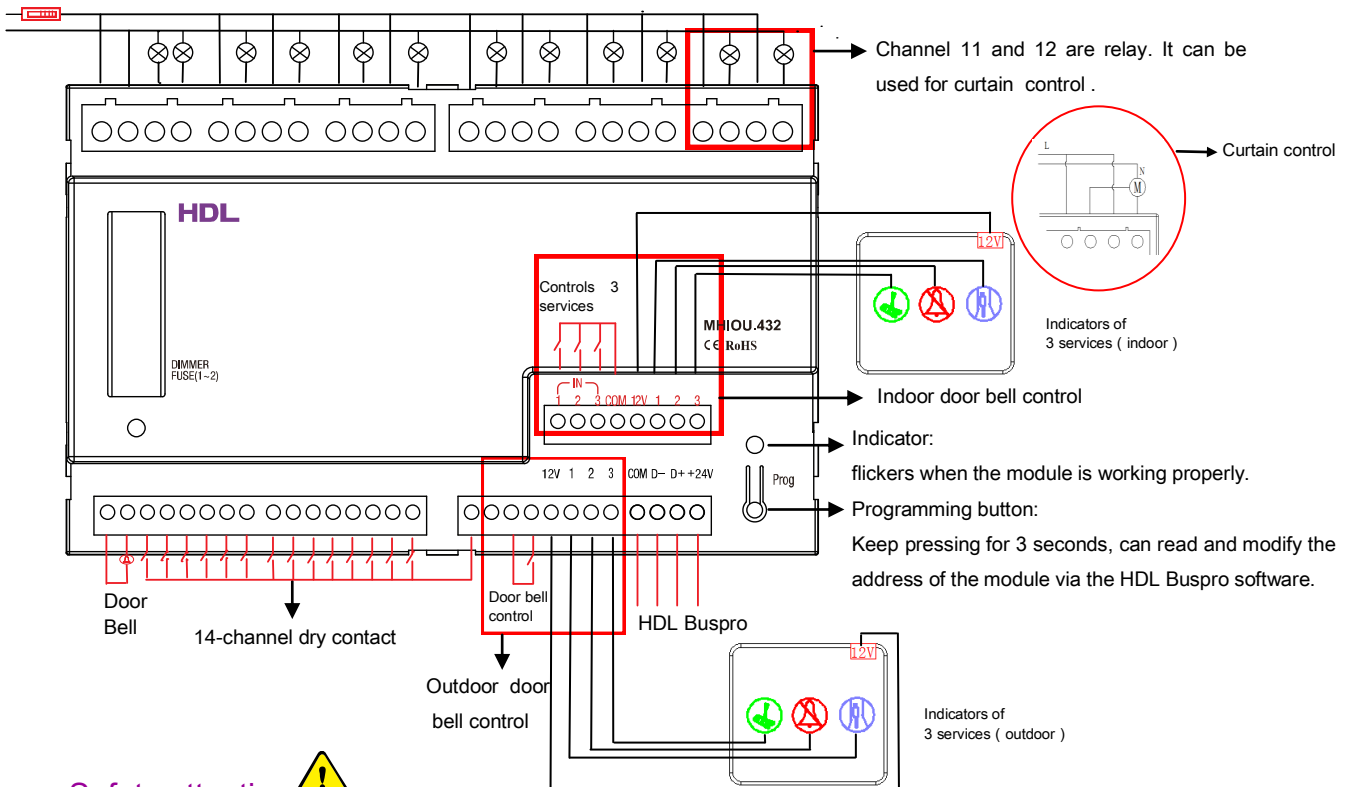
When the door bell is installed indoors and outdoors, there are three services: Wait, DND and Clean. The indoor door bell and outdoor door bell display same status.

**Indoor door bell control:** It can control three services by normal switch and universal switch of HDL intelligent panel.

Use common switch No.1,2,3 to control the Wait, DND, Clean LED indicators.

Use UV switch No.1,2,3 to control the Wait, DND, Clean LED indicators.

**Outdoor door bell control:** Can only control the door bell. If it is DND, you cannot control the door bell.



### Safety attention

- The screw down strength should not exceed 0.4Nm.
- Do not make wrong connection on Bus interface, it will damage the Bus interface of this module.
- Avoid contact with the rain or water module, it will damage this device.
- Do not get AC power into Bus wire , it will damage all devices in the system.
- Avoid contact with liquids and corrosive gases.

